

Electric Linear Fireplaces



fireplacextordinair™

Introducing the Electric Linear Fireplaces

Fire is inspirational. It sets the mood. It changes things. Electric Fireplaces are quite literally the easiest fireplace to add to your home. You can be enjoying your new fireplace within minutes, rather than days. They can be quickly hung on a wall like a picture frame, or recessed into your wall with just a 2" protrusion...less than your average flat screen TV! The new Electric Linear Fireplaces from Fireplace Xtrordinair present you with the most realistic fire effect complimented by a sleek, sophisticated design. They also offer the most flame viewing of any electric fireplace. The dazzling flames are surrounded by a seamless single piece 21" tall black glass panel and mood accent lighting that adds drama to any room. They include a 1,500 watt heater that provides supplemental warmth. The mesmerizing, unique flame of these fireplaces along with their modern linear design will add a focal point to any room in your home.

Outstanding Features

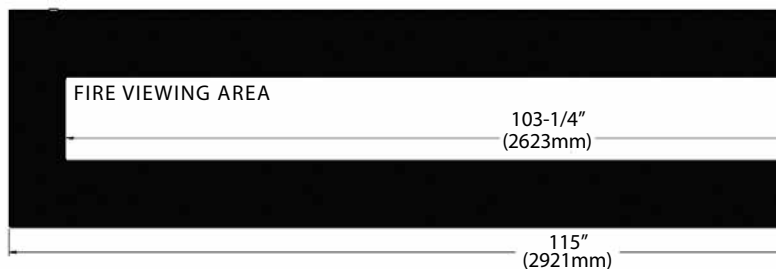
- Sleek 21" high one piece black glass surround panel
- Amazing multi-color LED flame technology
- Mood Accent Lighting around the perimeter of the fireplace with multiple settings operated by a remote
- Adjustable flame intensity – 5 levels
- Adjustable lighting for the display tray – 5 levels
- Flame effect can be on with or without the heater on
- Choice of 3 colors of acrylic embers or crushed glass and a glowing log set and embers
- Touchscreen control panel on the unit – controls both flame and heat settings, plus more
- Infrared remote offers you control from your easy chair if you don't want to get up to adjust your fireplace
- Digital thermostat located on the unit
- 1500 watt heater that can help warm a room
- Designed to be mounted or recessed into any wall



Model 115EF (Extra Large)

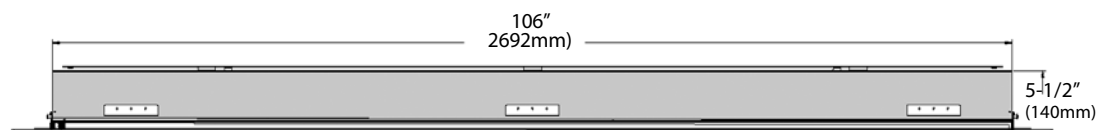
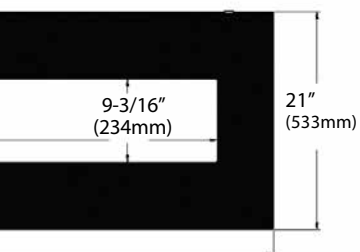
When was the last time you saw 9 feet of active flames hanging on a wall? The unique flame effect, the glow of the mood accent light, and the greatest amount of fire view available instantly sets the stage for your favorite gathering place.

FACE AND FIREVIEW





FIREPLACE DIMENSIONS

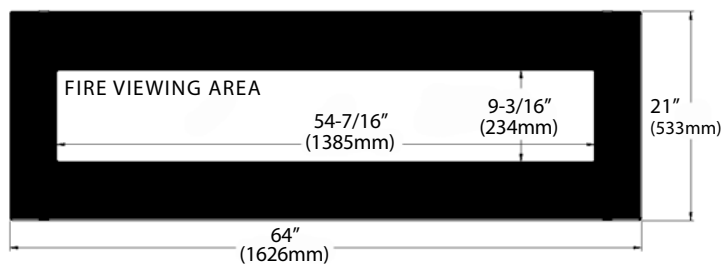




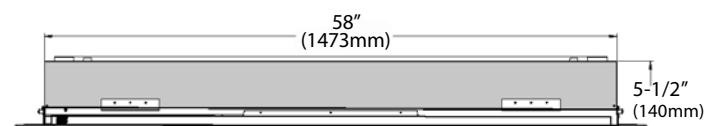
Model 64EF (Large)

The large 64EF is as comfortable in living rooms as it is in conference rooms. It draws your eye with its compelling flame and seamless glossy black surround. Just like its medium and extra-large counterparts, the 64EF can easily be hung on a wall or recessed with just a 2" protrusion.

FACE AND FIREVIEW



FIREPLACE DIMENSIONS

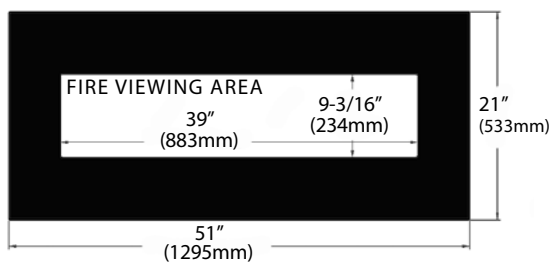




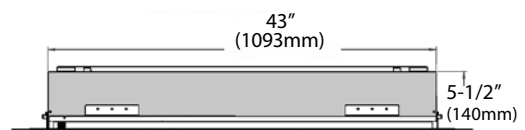
Model 51EF (Medium)

The medium 51EF is perfect for more intimate living spaces, such as dining rooms and bedrooms. Its soft glow and supplemental warmth set the mood for a soothing ambiance. The 51EF can be wall mounted or built-in. The sleek black glass surround panel and perimeter mood accent lighting add to the magic and drama of the 51EF, even in smaller rooms in your home.

FACE AND FIRE VIEW



FIREPLACE DIMENSIONS



Available in Three Sizes

The Electric Linear Fireplaces are available in three different sizes to accommodate any room.



The medium sized 51EF is ideal for more intimate settings.



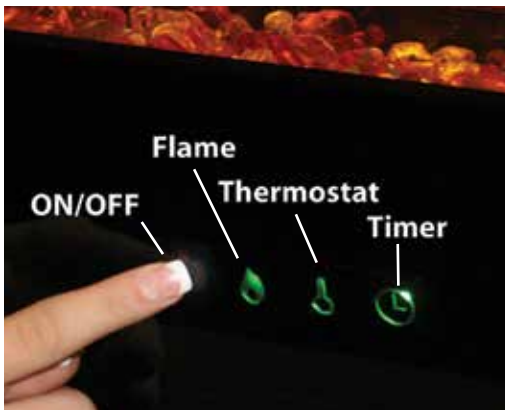
The 64EF is our large fireplace which is perfect for living rooms.



The extra-large 115EF is a show-stopper and an excellent focal point for creating drama in larger living areas.

Easy Operation - Touchscreen Control

The Fireplace Xtrordinair Electric Linear Fireplaces feature an LED-lit touchscreen control, located in the lower right hand corner of the units. The touchscreen remains unlit and stays hidden until you touch it, illuminating it for five seconds. The touchscreen control allows you to:



- Turn your fireplace ON/OFF
- Adjust flame intensity - 5 settings
- Turn your heater ON/OFF
- Select your desired room temperature
- Set a countdown timer

Scan this QR Code to watch a video on how to operate the Electric Linear Fireplace



Remote Control

If you prefer to operate your electric fireplace from the comfort of your favorite chair, the remote control is another easy-to-use feature. The buttons on this remote allow you to adjust your fireplace, just like the touchscreen control. In addition, the remote control can adjust the intensity of the display tray lighting under the glass and switch from HIGH-LOW on the heater.



Set the Mood and Personalize Your Fireside Experience

Display Tray Choices

Four different decorative items are included with each fireplace. They include a Glowing Logset with embers, or your choice of Platinum and Orange Acrylic Embers or Crushed Mixed Glass.



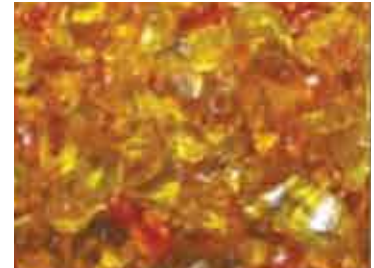
Glowing Logset



Platinum Acrylic Embers



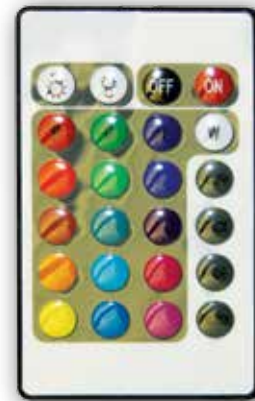
Orange Acrylic Embers



Crushed Mixed Glass

Mood Accent Lighting

The Fireplace Xtrordinair Electric Linear Fireplaces feature mood accent lighting surrounding the perimeter of the glass panel that adds a dramatic highlight to the fireplaces. Choose your favorite color setting with the mood accent lighting remote control. It features 15 different colors with 10 shades adjustable for each. The Mood Accent Lighting can be a continuous soft glow or set to flash or strobe to get the party started!



Scan this QR Code to watch a video on how to operate the Mood Accent Light Remote Control



Sampling of the many Mood Accent Lighting color selections



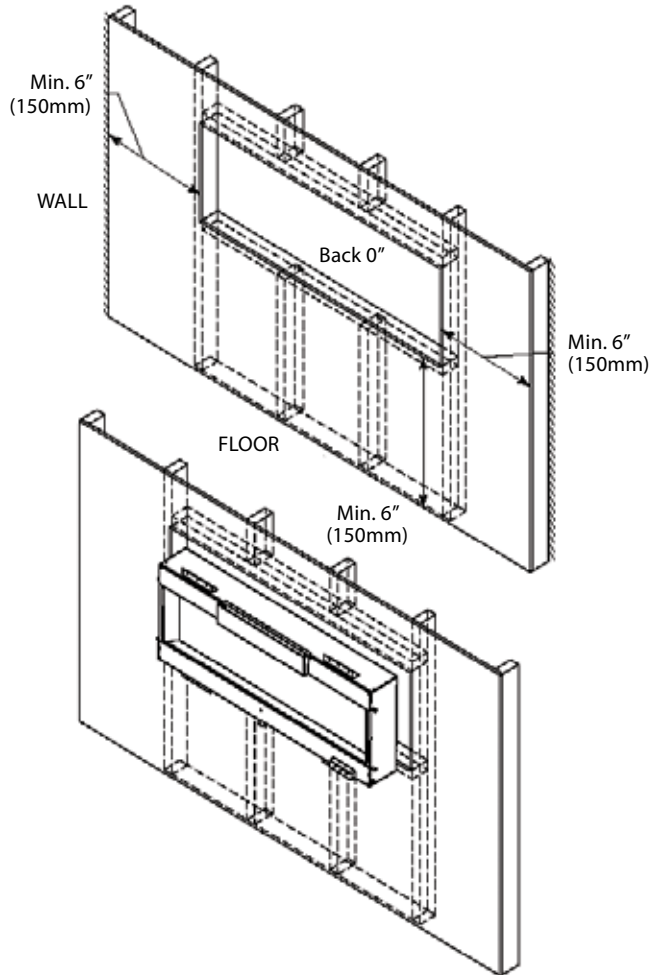
Installation Options - Wall Mount or Build-In to the Wall

Installing your Fireplace Xtrordinair Electric Linear Fireplace is hassle-free and can be done in two simple ways. 1. Mount to virtually any wall and simply plugged into a 110 watt outlet. 2. Built-in to a wall. All three sizes of fireplace have a depth of only 5-1/2 inches so they can be built in to walls and project only 1-3/4 inches into the room. This provides a flush appearance to the installation. Both installations options can be quickly done and look great in any room.

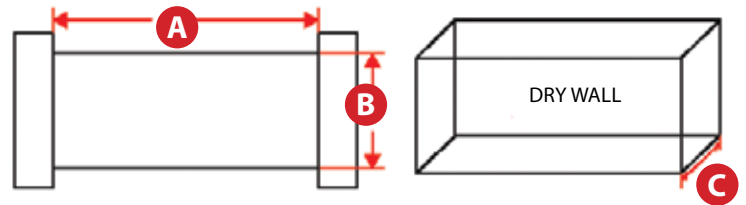
Specifications

Voltage	120 AC. 60Hz
Amps	11.7
Unit Watts	1400
Heater on High	1350 Watts
Heater on Low	675 Watts
Heating Capacity	400-500 Sq. Ft.

Minimum Framing Dimensions



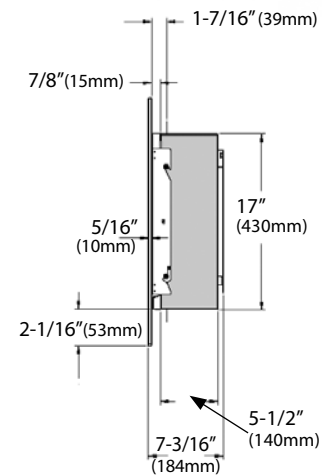
Built In Opening Dimensions



When preparing opening allow for 1/4" around edge of fireplace.

	UNIT	A	B	C
Model 51 EF	43"	43-1/2"	17-1/2"	5-1/2"
Model 64EF	58"	58-1/2"	17-1/2"	5-1/2"
Model 115 EF	106"	106-1/2"	17-1/2"	5-1/2"

Side View Dimensions for all three fireplaces



NOTE: ALWAYS REFER TO THE PRODUCT OWNER'S MANUAL FOR COMPLETE INSTALLATION INSTRUCTIONS. FAILURE TO DO SO CAN RESULT IN VOIDING OF THE WARRANTY AND PRESENT A POTENTIAL SAFETY HAZARD!

MANUAL CAN BE FOUND AT WWW.FIREPLACEX.COM



See our complete line of fireplaces and inserts at: www.fireplacex.com

Photos and illustrations are for descriptive purposes only. We reserve the right to improve or change our products without prior notification. All trademarks belong to Travis Industries, Inc. Consult the Owner's Manual for complete installation requirements.

© Copyright T. I. 2013/11

Printed in the U. S. A.

98800715